

A6417B

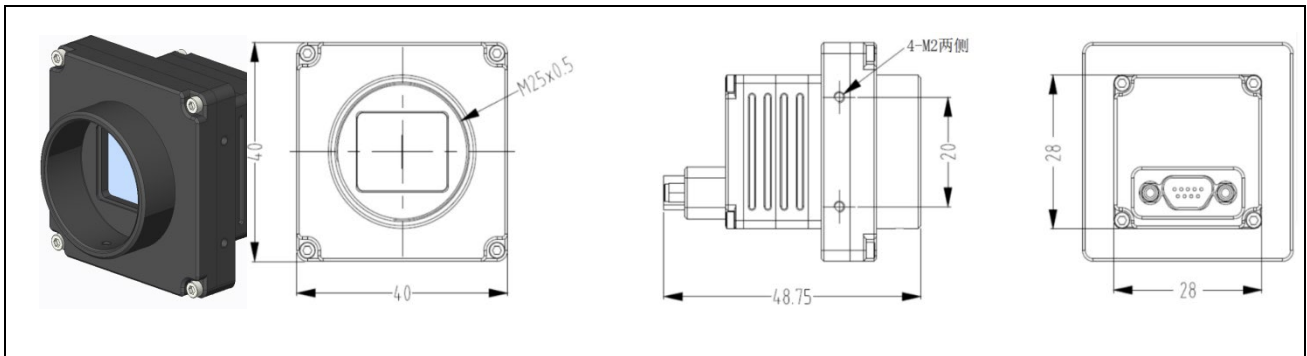
Uncooled Thermal Module

Technical Data



JIANGSU ASCENDENT OPTRONICS INC.

Performance						
Detector Type		Uncooled microthermal VOx FPA				
N.E.T.D		<40mK (@f/1.0,50Hz,300K)				
Resolution		640 x 512				
Pixel size		17μm				
Wave range		8-14μm				
Environment						
Operating Temperature		-40°C to +55°C				
Storage Temperature		-40°C to +70°C				
Humidity		95% Relative humidity, Non-condensing				
Protection Rate		IP45/IP67 (Customize)				
Physical						
Weight		≤75g, Without Lens				
Size		≤49mm(L)x28mm(W)x28mm(H), Without Lens				
Interface & Electronics						
Interface		J30J-9				
Power Supply		DC 3-10V				
Video Output		Combined: PAL@50Hz(NTSC@60Hz optional)				
Digital Output		CameraLink Customize				
Control		RS232(default), RS485, RS422(Customize)				
Power Consumption		≤2.5W(Static)				
Start Up Time		≤20s				
Boot mode		Power on				
Optional Accessories						
Lenses		13mm: 49.6° x 36.6° 19mm: 32° x 25.8° 35mm: 17.7° x 13.3° Customize				
DRI [Human: 1.7m x 0.6m]				DRI [Car: 2.3m x 1.5m]		
Lens	Detect	Recognize	Verify	Detect	Recognize	Verify
13mm	382	96	48	1173	293	147
19mm	559	140	70	1714	428	214
35mm	1029	257	129	3157	789	395
100mm	2941	735	368	9020	2255	1127
Dimension						

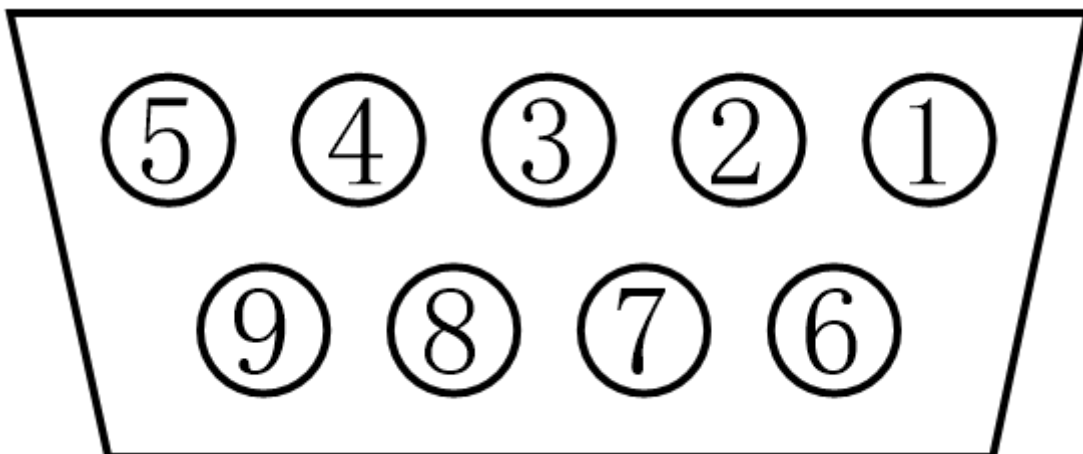


Interface definition

- 1 The interface adopts 9 Pin connector J30J-9. Includes power, video, communication and other functions.

Pin	Definition	Description
1	POW+	power supply, 3-10V DC
2	VIDEO	Analog video output, PAL
3	GND	Serial port ground/ video ground
4	RS232_RXD	System -> Thermal Image
5	-	-
6	GND	Power ground
7	-	-
8	RS232_TXD	Thermal image -> system
9	-	-

The sequence of lead out is as follows:



- 2 Mini CameraLink at this version is not available.

October 10, 2018