

A6417SC

Uncooled Thermal Module

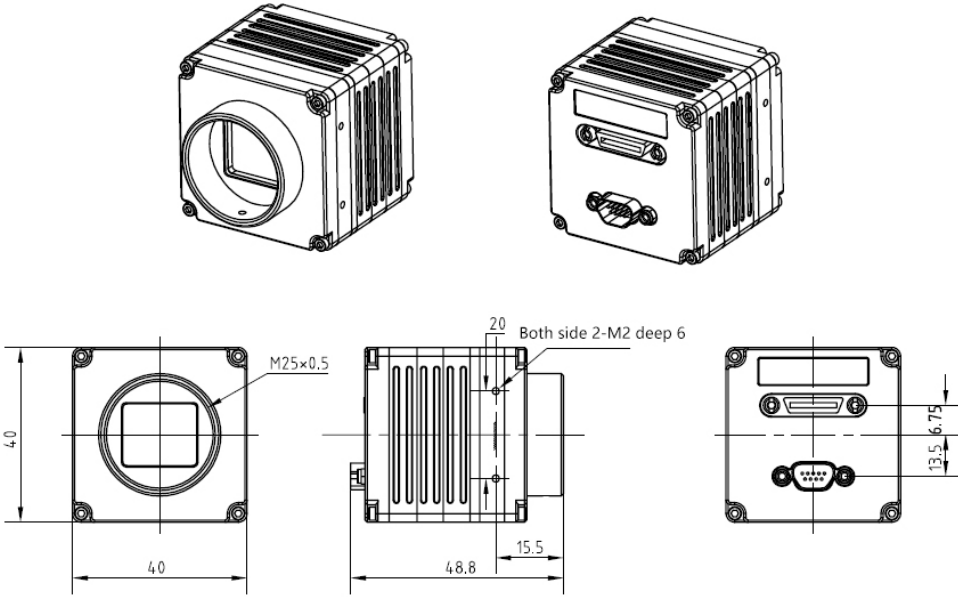
Technical Data



JIANGSU ASCENDENT OPTRONICS INC.

Performance	
Detector Type	Uncooled microthermal VOx FPA
N.E.T.D	<40mK (@f/1.0,50Hz,300K)
Resolution	640 x 512
Pixel size	17μm
Wave range	8-14μm
Environment	
Operating Temperature	-40°C to +55°C
Storage Temperature	-40°C to +70°C
Humidity	95% Relative humidity, Non-condensing
Protection Rate	IP45/IP67 (Customize)
Physical	
Weight	≤100g, Without Lens
Size	≤51mm(L)x40mm(W)x40mm(H), Without Lens
Interface & Electronics	
Interface	J30J-9
Power Supply	DC 3-10V
Video Output	Combined: PAL@50Hz(NTSC@60Hz optional)
Digital Output	CameraLink
Control	RS232(default), RS485, RS422(Customize)
Power Consumption	≤2.5W(Static)
Start Up Time	≤20s
Boot mode	Power on
Function	
Mode	Linearity, Automatic gain, Histogram, Automatic gain + Histogram
Brightness	Adjustable
Contrast	Adjustable
Image Gain	Adjustable(Close this function needs customization)
Cursor	Cross(Customizable)
Electronic Zoom	1X, 2X, 3X, 4X
Manual Correction	Available
Automatic Correction	Available
Autofocus	Available
Pseudo Color	Black and white, Pseudo color, Medical, Iron red(Customizable)
Optional Accessories	
Lenses	13mm: 49.6° x 36.6° 19mm: 32° x 25.8° 35mm: 17.7° x 13.3° Customize

DRI [Human: 1.7m x 0.6m]				DRI [Car: 2.3m x 1.5m]		
Lens	Detect	Recognize	Verify	Detect	Recognize	Verify
13mm	382	96	48	1173	293	147
19mm	559	140	70	1714	428	214
35mm	1029	257	129	3157	789	395
100mm	2941	735	368	9020	2255	1127

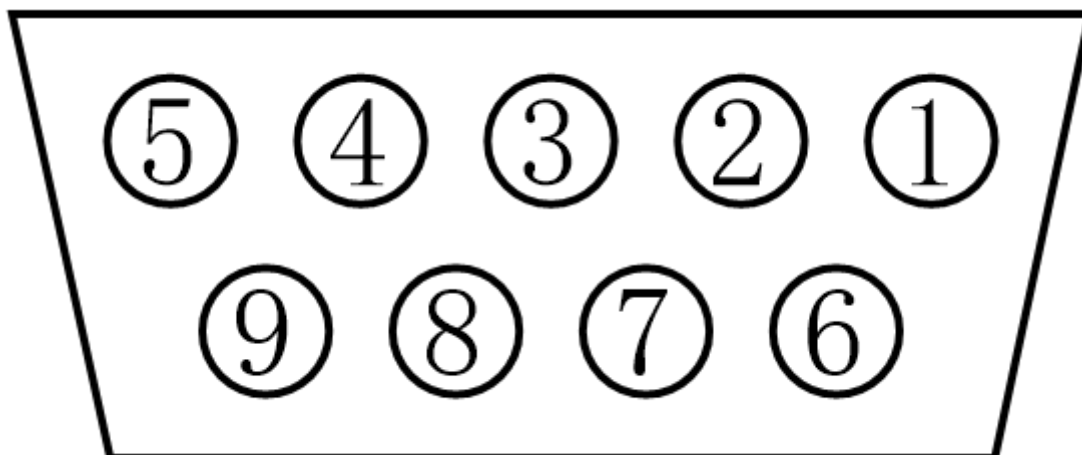
Dimension	
	

Interface definition

- 1 The interface adopts 9 Pin connector J30J-9. Includes power, video, communication and other functions.

Pin	Definition	Description
1	POW+	power supply, 3-10V DC
2	VIDEO	Analog video output, PAL
3	GND	Serial port ground/ video ground
4	RS232_RXD	System -> Thermal Image
5	-	-
6	GND	Power ground
7	-	-
8	RS232_TXD	Thermal image -> system
9	-	-

The sequence of lead out is as follows:



2 Digital video is connected to the computer through the CameraLink interface.

October 10, 2018