

AZ3015L

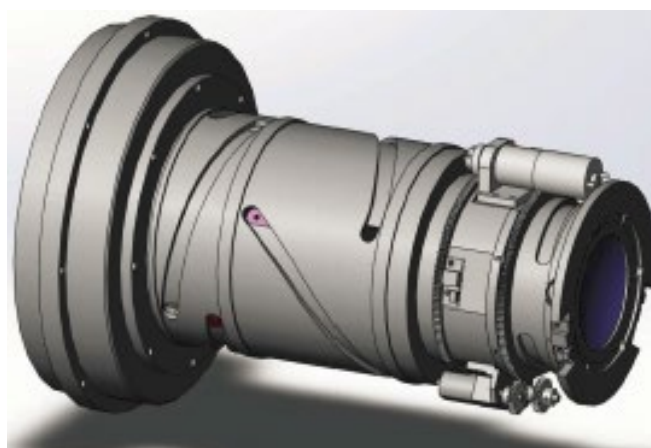
Continuous Zoom Infrared Lens

Technical Data



JIANGSU ASCENDENT OPTRONICS INC.

Appearance Rendering



Technical Data	
Focal Length(mm)	30~150mm, Zoom
F/#	0.85@f30/1.2@f150
Effective Image Surface	Φ14
Exposed lens coating	DLC
HFOV/VFOV:f30/f150	10.4°×8.3°/2.2°×1.7° (336×256 17μm) 12.4°×9.3°/2.5°×1.9° (384×288 17μm) 14.6°×11.0°/2.9°×2.2° (384×288 20μm) 15.2°×11.4°/3.1°×2.3° (320×240 25μm) 18.2°×13.7°/3.7°×2.8° (384×288 25μm) 20.6°×15.5°/4.2°×3.1° (640×512 17μm)
Focus range	5m~∞
Weight	< 3870g

Optional

Additional option 1: add a 5k precision motor position for zoom and focus each for position feedback.

Physical Dimension

